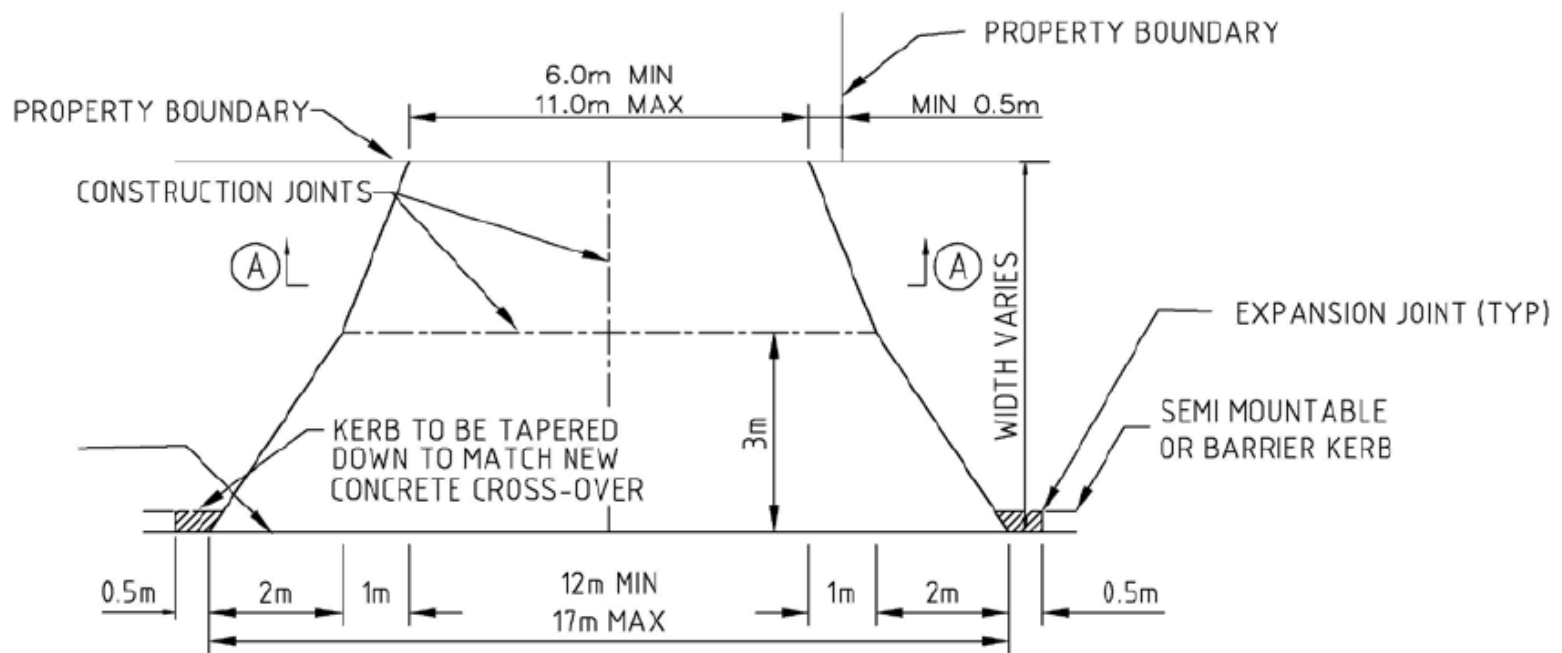
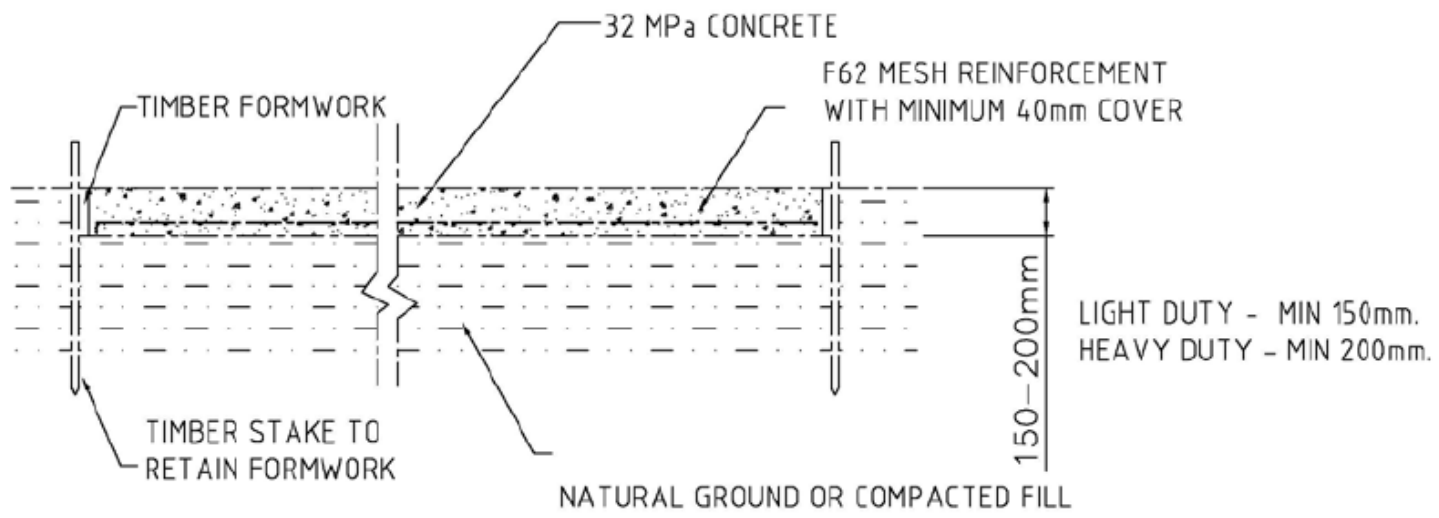


25mm LIP ALONG FULL WIDTH OF CROSSOVER



PLAN VIEW
NOT TO SCALE



SECTION A-A

LIGHT INDUSTRIAL/COMMERCIAL CONCRETE CROSSOVER
NOT TO SCALE